

PHYTON

USER MANUAL



VIOUX

Edition Notes

The Phyton User Manual contains important information pertaining to the use of this product including operation, maintenance, and safety guidelines

Trademarks

VOLUX, the VOLUX logo and Phyton are registered trademarks or trademarks of Dynamic Visual Solutions LLC (d/b/a VOLUX and VOLUX Lighting) in the United States and other countries. Other company and product names and logos may be their own respective trademarks.

Copyright Notice

The works of authorship contained in this user manual including but not limited to, all design, text, and images are owned by VOLUX.

© Copyright 2026 VOLUX Lighting. All rights reserved.

Disclaimer

All information provided within this document is intended to be accurate in all respects. However, VOLUX assumes no responsibility and specifically disclaims any and all liability to any party for any loss, damage or disruption caused by any errors or omissions in this document, whether such errors or omissions result from negligence, accident or any other cause. VOLUX reserves the right to revise the content of this document without any obligation to notify any person or company of such revision, however, VOLUX has no obligation to make, and does not commit to make, any such revisions. To download the latest version of this document, please visit voluxlighting.com

Document Version

This VOLUX Phyton User Manual is the 1st version of this document. To download the latest version, please visit voluxlighting.com

Table of Contents

Edition Notes	2
Introduction	4
Safety Information	5
IP66 Rating	6
Overview	7
Product Dimensions	8
Rigging	9
Connections	11
Signal Connections	12
Gobos	13
Menu Operation	14
Maintenance	18
RMA Returns	19

Introduction

What's Included*

- **Phyton Profile**
- **PowerCON TRUE1 Power Cable**
- **5-Pin XLR Cable**
- **(2) ERGO-LOK Omega Brackets**
- **Safety Cable**
- **Rubberized SIP Case Insert**

* Your quantities may vary based on original order configuration. Refer to packing list or invoice for details.

Claims

Carefully unpack the product immediately to verify that all parts and accessories included are present and in good condition. If the box or any of the contents appear damaged or shows signs of mishandling during shipping, contact the carrier immediately. Failure to report damage immediately may invalidate your claim. For other issues, such as missing parts/components or damage not related to shipping, please notify VOLUX within 7 days of delivery.

Expected LED Lifespan

LEDs naturally decline in brightness with usage over time, primarily due to heat generation. LEDs that are arranged in clusters are exposed to higher operating temperatures than a single LED. Under normal conditions, the estimated lifespan is approximately 50,000 hours. While VOLUX LED fixtures are designed with industry-leading LED cooling systems, you can extend the lifespan and brightness of your LEDs by improving the ventilation surrounding the fixture, lowering the ambient air temperature, and refrain from continuous operation at full brightness for extended periods of time. These preventative measures can also better ensure brightness and color consistency across multiple fixtures throughout their lifespan.

LIMITED WARRANTY

For detailed warranty information, please visit voluxlighting.com/warranty-information or refer to your purchase agreement.

VOLUX warrants that this product will be free from defects in material and workmanship under normal operation for the period specified in and subject to exclusions and limitations set forth in the full limited warranty on our website. This warranty specifically extends to the original purchaser and is not transferable. You must have proof of purchase from VOLUX or one of its authorized dealers to obtain warranty service that shows the product name and date of purchase. Where maintenance guidelines are specified by VOLUX for products covered under this warranty, maintenance records must be maintained and supplied to VOLUX and accompany the returned product when warranty service is sought. THERE ARE NO OTHER EXPRESSED OR IMPLIED WARRANTIES.

Safety Information



THIS PRODUCT CONTAINS NO USER-SERVICEABLE PARTS. ANY REFERENCES MADE TO SERVICING THIS PRODUCT ARE FOR COMPETENT, TRAINED PERSONNEL. DO NOT ATTEMPT TO OPEN THE HOUSING OR REPAIR YOURSELF. DOING SO WILL VOID YOUR MANUFACTURER'S WARRANTY



All applicable codes and regulations apply to the proper installation of this product.

USER/AUDIENCE SAFETY:

- This product is intended for professional use only.
- Do not attempt to self-install this product if you are not familiar with stage lighting.
- Never look directly into the light source while it is on.
- Ensure the fixture is positioned at a safe distance away from the eyes of the audience where prolonged staring is not expected.
- Do not touch the product when operating. Housing may be hot.
- Always connect the product to grounded circuits to avoid electrocution.
- Never operate the product with damage on the housing, lenses, or cables.

MOUNTING/RIGGING SAFETY:

- Always carry the product by its grip handles.
- Always use a safety cable when suspending the fixture from above.
- Ensure all accessory and rigging hardware is tightly secured to the fixture.
- Always ensure there is at least 20" (50cm) spacing from adjacent surfaces for adequate ventilation.
- Always ensure cables are away from the pan/tilt path of the fixture.

POWER SAFETY:

- Do **NOT** connect this product to a dimmer rack or rheostat.
- Always ensure you are connecting the fixture to proper voltage and stable power sources.
- To prevent unnecessary wear, disconnect the product from power during periods of non-use via breaker or by disconnecting the power cable.
- Never disconnect by pulling or tugging the power cable.
- Never connect the fixture to a cable that does not have a ground prong.
- Periodically check internal batteries for health and signs of defects (if installed).

OPERATIONAL SAFETY:

- **IP66-RATED APPROVED FOR OUTDOOR USE** - Do not submerge this product. Outdoor operation is fine.
- **NOT FOR PERMANENT INSTALLATIONS WITH EXTREME ENVIRONMENTAL CONDITIONS.**
This includes, but is not limited to:
 - Exposure to a marine/saline/coastal environment (within 3 miles of a saltwater body of water).
 - Locations where normal high or low temperatures exceed operational temperature ratings.
 - Locations prone to flooding or being buried in snow.
- When using the product in an outdoor environment, use IP-rated power and data cables. Always secure unused power/data ports with the attached weather seal covers.
- **CAUTION:** When transferring product from extreme temperature environments (i.e. Cold Truck to Warm, Humid Ballroom), condensation may form. Allow the product to adjust to the environment before powering on.



If your VOLUX product requires service, please contact VOLUX Technical Support.

IP66 Rating

The **International Protection (IP)** rating system is denoted as “**IP**” (Ingress Protection) followed by two numbers (e.g. IP66) signifying the level of protection. The initial digit (Protection from Foreign Bodies) indicates the degree of safeguarding against solid particles entering the unit, while the second digit (Protection from Water) specifies resistance against water. An **IP66**-rated lighting fixture is rigorously tested to shield against dust infiltration (**6**) and powerful water jets from any direction (**6**).

Maritime / Coastal Environment Installations:

Coastal environments are located near the sea or saltwater bodies, and pose a corrosive risk to electronics due to exposure to atomized saltwater and high humidity. Maritime settings encompass areas within a 5-mile radius of coastal environments.

Maritime/coastal installations necessitate additional precautions and may require more frequent servicing due to their challenging environmental conditions. It’s essential to understand that IP ratings are primarily based on freshwater conditions, while maritime/coastal environments can be more corrosive to IP-rated fixtures, both internally and externally. Periodic operation may be required during periods of high humidity and low temperatures to expel accumulated moisture or condensation through the vent valve. Recommendations may vary based on specific installation circumstances and environmental conditions.

NOTE: Not all features mentioned apply to all fixtures; these instructions may not be relevant to your specific model or configuration. For more information, please contact Volux Technical Support.

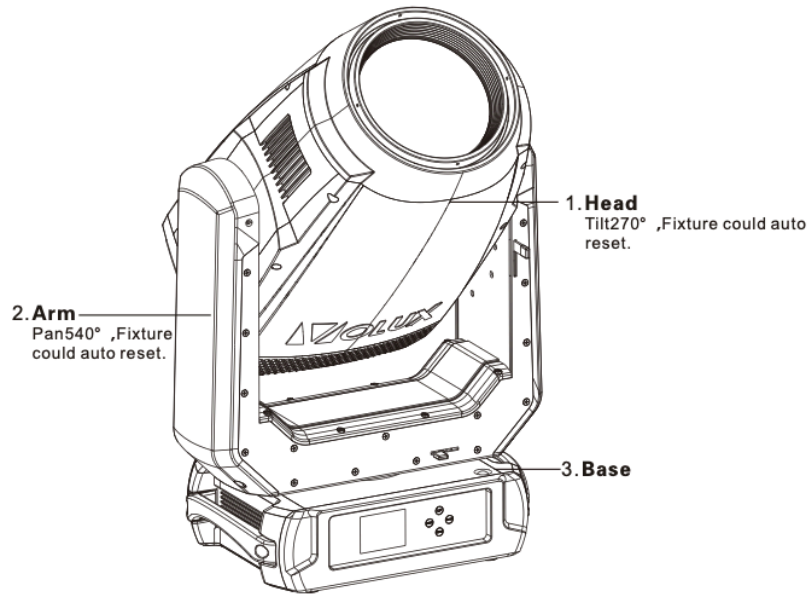
Exterior Maintenance: Inspect the exterior every 30 days. Ensure the unit is powered off. Examine the chassis for contaminants and clean optics and chassis as necessary. Schedule maintenance based on findings consider the exterior’s exposure to the elements. Maintenance is crucial even when not in use. Applying a durable wax coating is recommended to prevent contaminant buildup. Regularly inspect power/data lines for corrosion or contaminants and periodically reapply dielectric grease, particularly in coastal settings. Clean thoroughly or replace connectors if corrosion is present. Annual replacement of the vent valves is preventative to ensure proper humidity venting. Inspect mounting hardware as a precaution.

Interior Maintenance: Inspect the interior every 30 days with the unit powered off.

- Examine focus/zoom mechanisms, clean optics, and lubricate linear bearings as needed.
- Inspect belts for wear.
- Manually rotate effect wheels and check for any resistance.
- Examine Color & CMY Modules, manually moving flags or discs and check for any resistance.
- Inspect and clean fans as required, check rotation and connections.
- Clean the interior with low-volume compressed air and clean optics before reassembling head covers.

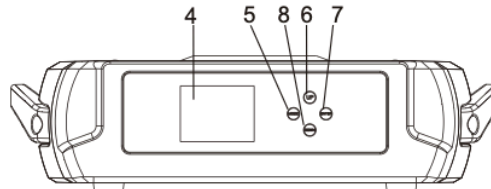
The pan belt should be inspected for wear, although the base has limited moving parts. Conduct an IP-test after removal of any cover. There is no specific timeframe for routine replacement of parts like belts, PCBs, motors, or LEDs. Replace as needed except for cooling fans, which should be replaced annually or every 10,000 hours.

Overview



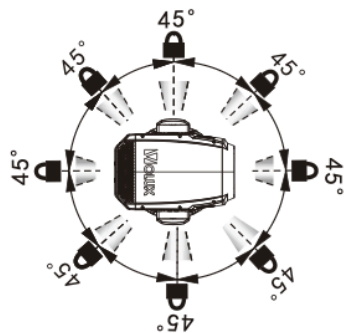
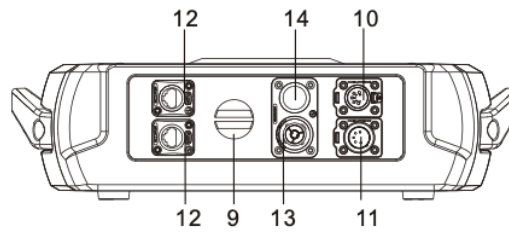
CINTROL PANEL

- 4. Display
- 5. MODE button
- 6. UP button
- 7. ENTER button
- 8. DOWN button

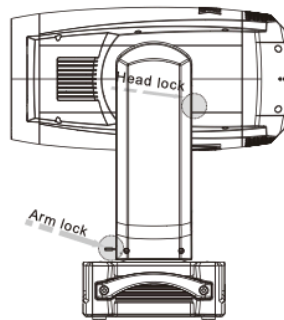


BACK PANEL

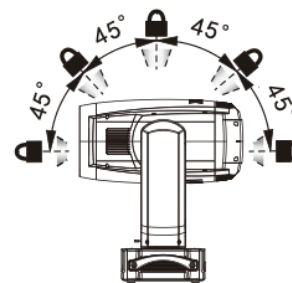
- 9. Battery
- 10. 5-pin XLR female
- 11. 5-pin XLR male
- 12. Network interface
- 13. Power-IN
- 14. Power-OUT



PAN Mechanism Lock Fig.2-1

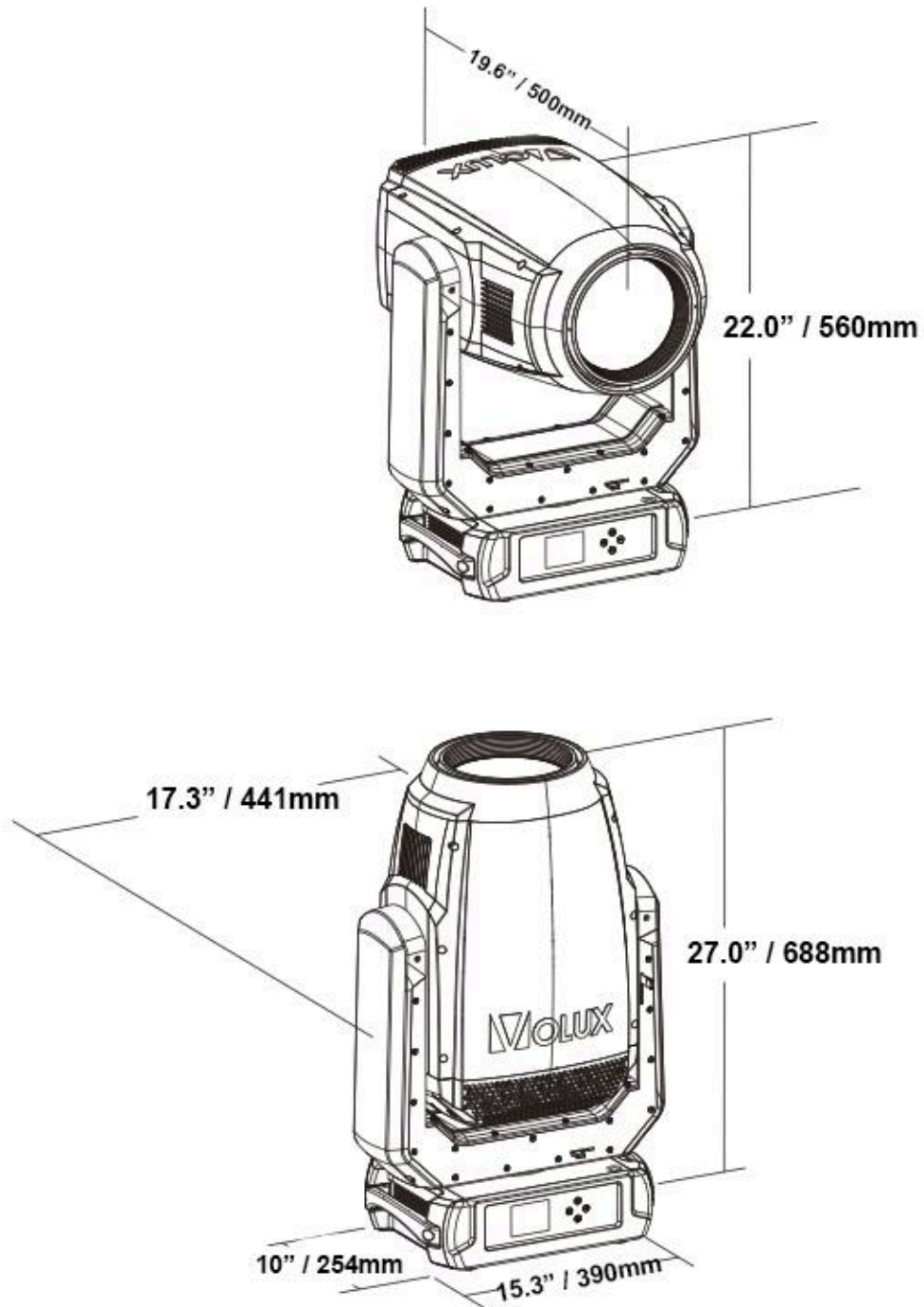


Level vertical transportation lock Fig.2



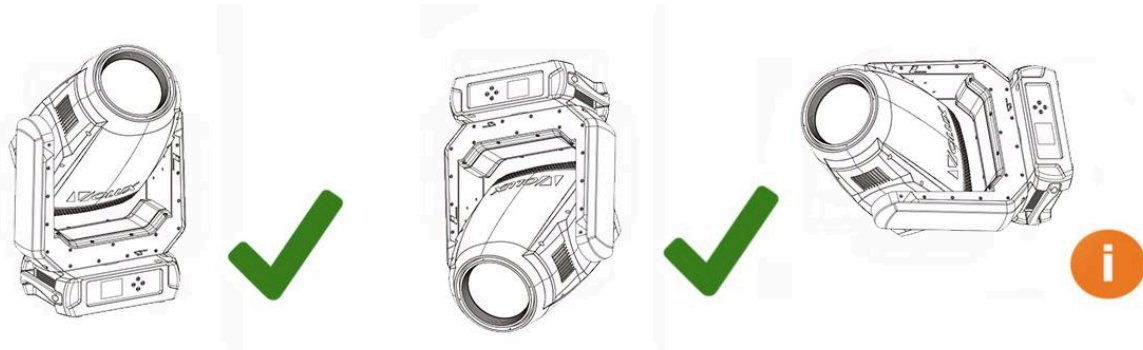
Tilt Mechanism Lock Fig.2-2

Product Dimensions



Rigging

Fixture Orientation



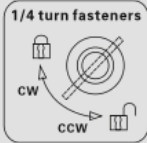
i Due to the size and weight of Phyton, additional caution should be exercised when mounting the fixture horizontally. Prolonged installations in this manner may cause additional strain on the pan/tilt motors.

Standing

Ensure the fixture is on a flat, stable surface. Do not attempt to place on the ground with omega brackets installed.

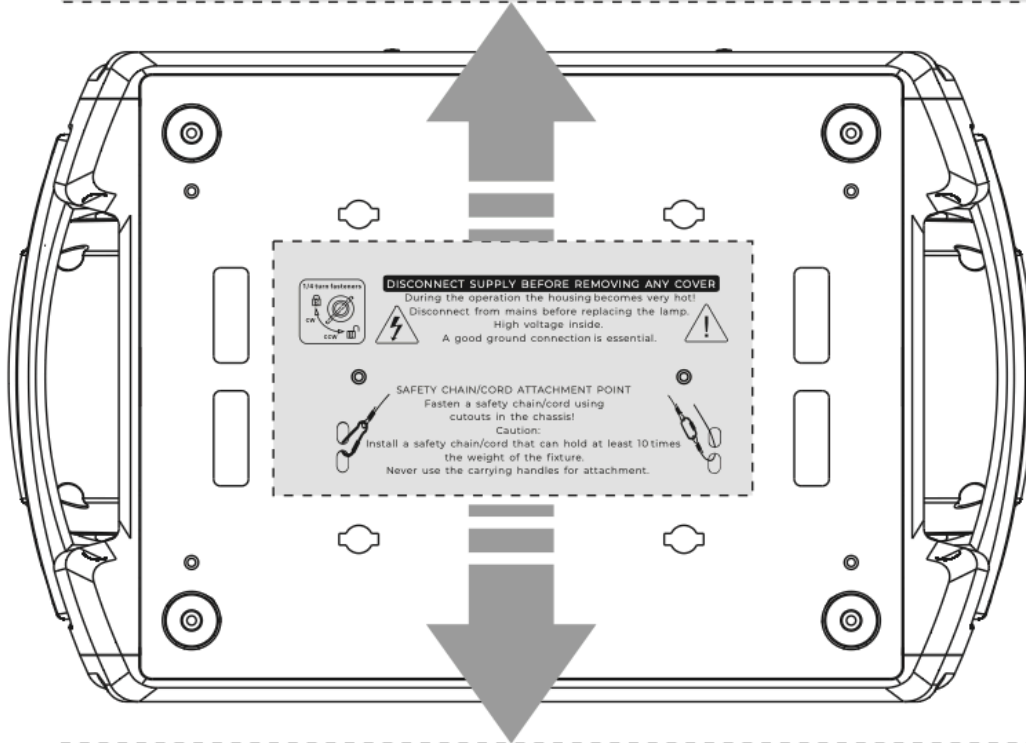
Rigging

- Use the included omega brackets (2) to secure the fixture to your rigging.
- The omega bracket hole size is M13.
- When rigging overhead, always use a safety cable. Always attach the safety cable to the dedicated loop on the fixture.



DISCONNECT SUPPLY BEFORE REMOVING ANY COVER

During the operation the housing becomes very hot!
 Disconnect from mains before replacing the lamp.
 High voltage inside.
 A good ground connection is essential.



DISCONNECT SUPPLY BEFORE REMOVING ANY COVER

During the operation the housing becomes very hot!
 Disconnect from mains before replacing the lamp.
 High voltage inside.

A good ground connection is essential.

SAFETY CHAIN/CORD ATTACHMENT POINT

Fasten a safety chain/cord using cutouts in the chassis!



Caution:
 Install a safety chain/cord that can hold at least 10 times the weight of the fixture.



Never use the carrying handles for attachment.

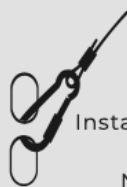
SAFETY CHAIN/CORD ATTACHMENT POINT

Fasten a safety chain/cord using cutouts in the chassis!

Caution:

Install a safety chain/cord that can hold at least 10 times the weight of the fixture.

Never use the carrying handles for attachment.



Connections

Power Connections

PHYTON has an auto-ranging power supply; it can operate with an input voltage range of 100 - 240 VAC, 50/60 Hz.

To determine the power requirements, use the current value listed on the specification sheet, the product's label, or this manual. The current rating reflects the product's average draw under normal operating conditions.



- **Always connect the fixture to a protected circuit with the appropriate ground to avoid electrocution or fire.**
- **Disconnect the fixture from power when not in use to prevent unnecessary wear and prolong its lifespan.**
- **When using this product in an outdoor IP65-type environment, be sure to use IP65 (or higher) rated data cables and secure unused ports with attached IP65 covers.**

PHYTON comes with a power input cord as standard with a terminated Edison (US) and PowerCON TRUE1 cable. Power linking cables can be purchased from VOLUX.

Power Linking

VOLTAGE	NO. OF UNITS
110-120V	2
208V	3
230-240V	5

On-Board Battery:

Phyton's on-board battery allows users to address and change fixture settings while the fixture is powered off. To turn on the menu, press the menu button 2 times while the fixture is disconnected from power.

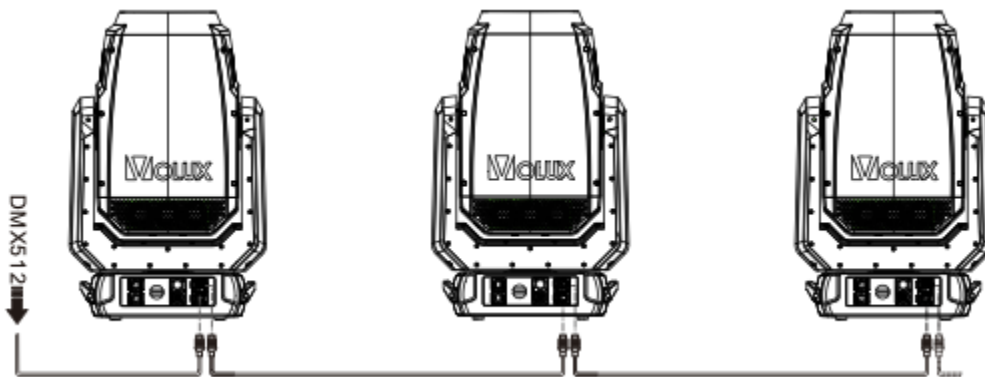
The battery can be replaced on the back of the fixture (Ref. Fig 1, part 9).

Signal Connections

PHYTON can receive signals via a DMX-512, Art-Net or sACN signal. PHYTON has one 5-Pin XLR DMX in and out ports. The DMX personality can be found within this user manual.

DMX Linking

You can link PHYTON to a DMX Controller or Lighting Console using a 5-pin DMX cable. You can connect up to 9 Phyton fixtures on a single 512-channel DMX universe.



Art-Net Connection

Art-Net™ is an Ethernet protocol that uses TCP/IP which transfers a large amount of DMX512 data using an etherCON® RJ45 connection over a large network. PHYTON can receive Art-Net signal in across all personality modes, allowing independent universes* VOLUX recommends using unicast Art-Net™ for best results. Art-Net™ is designed by and copyrighted by Artistic License Holdings Ltd.

sACN Connection

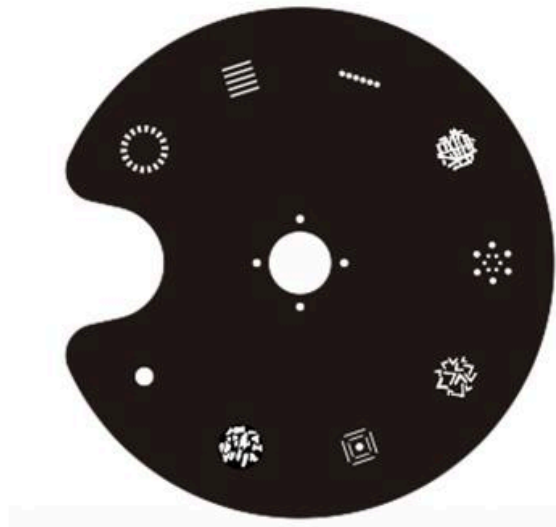
Streaming ACN (Architecture for Control Networks), also known as ANSI E1.31, is an Ethernet protocol that uses the layering and formatting of ACN to transport DMX512 data over IP or any other ACN-compatible network.

Gobos

Rotating Gobo Wheel 1

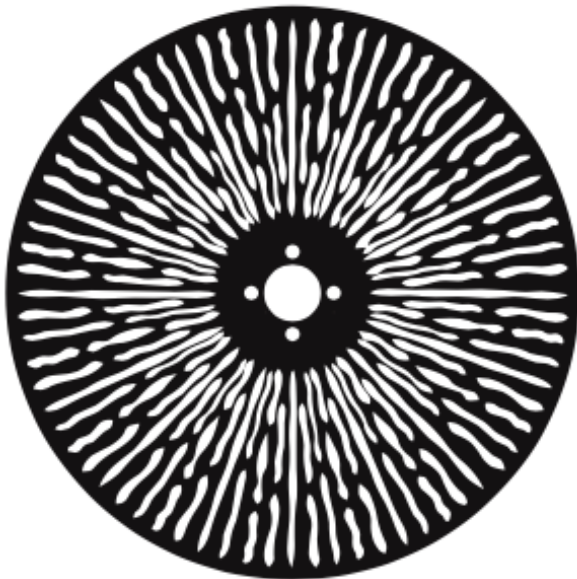


Static Gobo Wheel



Gobo Size: Outer Diameter: 20mm | Image: 13mm | Thickness: 1.1mm

Animation Wheel



Menu Operation

Main Level	Parameter	Options/Values	Description	
DMX Setup	DMX Address	001-XXX	Fixture Address	
	Channel Mode	Mode 1	Standard (default)	
		Mode 2	Extended	
	DMX input	Wired Input	Receives Data from XLR	
		Ethernet Input	Receives Data from ArtNet / sACN	
		Ethernet In/XLR Out	Receives Data from ArtNet / sACN, Outputs to XLR	
		Wireless In/XLR Out	Receives CRMX/W-DMX, Outputs to XLR	
	Network	Mode	ArtNet	Sets Input as ArtNet
			sACN	Sets Input as sACN
		ART-NET universe	0-255	Sets Universe from 1-256
		sACN universe	0001-9999	Sets sACN Universe from 1 to 9999
		IP address		Sets Custom IP Address
		Net Mask		Sets Subnet Mask
	Reset IP setup	YES	Resets IP Settings to Factory Default	
		NO	Cancels Reset	
	Connection	Link	Links Wireless Connection	
		Unlink	Unlinks Wireless Connection	
	RDM	ON	Turns RDM On	
		OFF	Turns RDM Off	
	Option	Pan invert	Off	Clockwise Rotation
On			Counter Clockwise Rotation	
Tilt invert		Off	Tilts from 0 to 180	
		On	Tilts from 180 to 0	
Feedback		Off	Turns Feedback Off	
		On	Turns Feedback On	
Pan/Tilt mode		Speed	Pan/Tilt Based of Speed	
		Time	Pan/Tilt Based of Time	
Frequency setup		300HZ	Sets LED PWM Frequency	
		600HZ		
		1200HZ		
		2400HZ		
Fan Mode		AUTO	Fan Speed Selection	
		Performance		
	Super Quiet			
Blackout Settings	Blackout Enable	Off	No Effect	
		On	Blacks Out During Value Changes	
Dimmer Curve	Linear		Sets Dimming Curve	
	Square law			

		Super square law			
	Display	Off			
		On			
	Auto Screen	Off			No auto-rotation
On			Auto-rotates screen		
Information	System Errors	" "			Shows Current Errors
	Fixture hours	Resetable Time	Clear Time	YES	Resets Running Time of Fixture
				NO	No Effect
		Total Time			Shows Lifetime Running Hours of Fixture
	LED hours	Resetable Time	Clear Time	YES	Resets Running Time of Source
				NO	No Effect
		Total Time			Shows Lifetime Running Hours of Source
	DMX Values				Shows all Channels and Current DMX Values for Each
Fixture temperatures				Shows LED & Base Temperatures	
	RDM UID	" "			Shows Fixture RDM UID
Board info				Shows All Diver Board Firmwares	
Manual Control	Reset Functions	Total Reset	YES	Resets all motors	
			NO	No Effect	
		Pan/Tilt Reset	YES	Resets Pan/Tilt motors	
			NO	No Effect	
		Colour System Reset	YES	Resets CMY & Color Wheel motors	
			NO	No Effect	
		Gobo/Effect Reset	YES	Resets Gobo & Effect motors	
			NO	No Effect	
	Optics/Prism/Frost Reset	YES	Resets Zoom/Focus/Frost motors		
		NO	No Effect		
	Iris/Framing Reset	YES	Resets Iris/Framing motors		
		NO	No Effect		
	Channels	Pan	0-255	Manually Set Pan Position	
		Pan Fine	0-255	Manually Set Fine Pan Position	
		Tilt	0-255	Manually Set Tilt Position	
		Tilt Fine	0-255	Manually Set Fine Tilt Position	
		Pan/Tilt Speed	0-255	Manually Set Pan/Tilt Speed	
		Function	0-255	Manually Set Effect Function	
LED Frequency		0-255	Manually Set LED Frequency		
LED Frequency fine		0-255	Manually Set LED Frequency fine		
Max. Light setting		0-255	Manually Set Maximum Light Output		
Colour Wheel 1		0-255	Manually Select Color from Color Wheel 1		
Colour Wheel 1 fine	0-255	Manually Select Color from			

			Color Wheel 1 fine
		Cyan	0-255 Manually Set Cyan Value
		Magenta	0-255 Manually Set Magenta Value
		Yellow	0-255 Manually Set Yellow Value
		CTO	0-255 Manually Set CTO Value
		Mintra Correction	0-255 Manually Set Green Balance
		Virtual Colour Wheel	0-255 Manually Select Color from Virtual Color Wheel
		Effects Speed	0-255 Manually Set Macro Effect Speed
		CMY+CTO+Colour WheelsTime	0-255 Manually Set CMY+CTO+Colour Wheels Time
		FramingShutters/optics time	0-255 Manually Set Framing + Shutters + Optics Time
		Effect wheel positioning	0-255 Manually Set Effect Wheel Position
		Effect wheel rotation	0-255 Manually Set Effect Rotation Position
		Effect wheel animations	0-255 Manually Set Effect Animation
		Rot.Gobo wheel 1	0-255 Manually Select Gobo from Wheel 1
		Rot.Gobo wheel 1 fine	0-255 Manually Select Gobo from Wheel 1 Fine
		Rot.Gobo1 indexing/rotation	0-255 Manually Set Gobo Wheel 1 Rotation Position
		Rot.Gobo1 indexing/rotationF	0-255 Manually Set Gobo Wheel 1 Rotation Position Fine
		Static Gobo wheel 2	0-255 Manually Select Gobo from Wheel 2
		Static Gobo wheel 2 fine	0-255 Manually Select Gobo from Wheel 2 Fine
		Prism Wheel 1	0-255 Manually Select Prism 1 Effect
		Prism Wheel 1 indexing/rotation	0-255 Manually Set Prism 1 Rotation Position
		Prism Wheel 2	0-255 Manually Select Prism 2 Effect
		Prism Wheel 2 indexing/rotation	0-255 Manually Set Prism 2 Rotation Position
		Frost	0-255 Manually Set Frost Value
		Iris	0-255 Manually Set Iris Value
		Iris fine	0-255 Manually Set Iris Fine Value
		Zoom	0-255 Manually Set Zoom Value
		Zoom Fine	0-255 Manually Set Zoom Value Fine
		Focus	0-255 Manually Set Focus Value
		Focus Fine	0-255 Manually Set Focus Value Fine
		FramingShutters rotation	0-255 Manually Set Position of Framing Shutters
		FramingShutters1 movement	0-255 Manually Set Framing Sutter 1 Position
		FramingShutters1	0-255 Manually Set Framing Sutter 1

		swivelling		Rotation Position
		FramingShutters2 movement	0-255	Manually Set Framing Sutter 2 Position
		FramingShutters2 swivelling	0-255	Manually Set Framing Sutter 2 Rotation Position
		FramingShutters3 movement	0-255	Manually Set Framing Sutter 3 Position
		FramingShutters3 swivelling	0-255	Manually Set Framing Sutter 3 Rotation Position
		FramingShutters4 movement	0-255	Manually Set Framing Sutter 4 Position
		FramingShutters4 swivelling	0-255	Manually Set Framing Sutter 4 Rotation Position
		Shutter/Strobe	0-255	Manually Set Shutter/Strobe Value
		Dimmer	0-255	Manually Set Dimmer Value
		Dimmer fine	0-255	Manually Set Dimmer Fine Value
Advanced	Calibrations	Password	----	Don't Touch This...
	Menu Locking	Off		Turns Off Menu Locking
		On		Turns On Menu Locking
		Enter Password		Set Password
	Factory Default	YES		Reset to Factory Settings
		NO		No Effect

Maintenance

Fixture Maintenance

Dust accumulation can reduce light output performance and cause overheating. This can lead to a reduction in light source life and/or mechanical wear. To maintain optimal performance and reduce wear, clean your lighting products at least once a month. However, be aware that usage and environmental conditions could be contributing factors to increasing the cleaning frequency.

To clean the product, follow the instructions below:

1. Unplug the product from power.
2. Wait until the product is at room temperature.
3. Use a vacuum (or dry compressed air) and a soft brush to remove dust collected on the external surface/vents.
4. Clean all transparent surfaces with a mild soap solution or ammonia-free glass cleaner.
5. Apply the solution directly to a soft, lint-free cotton cloth or a lens cleaning tissue.
6. Softly drag any dirt or grime to the outside of the transparent surface.

Gently polish the transparent surfaces until they are free of haze and lint.

Do not spin the cooling fans with compressed air. Damage may result.

IP Rating Integrity & Testing

Please contact Volux Technical Support for Torque Measurements and IP testing instructions. An IP Tester is available from Volux for purchase to authorized service partners.

RMA Returns

RMA Procedure

To obtain an RMA, please contact support@voluxlighting.com or your designated representative with a written description of the problem you are experiencing to obtain an RMA number. Upon receiving an RMA number, the product/component must be packaged in original packaging or other suitable packaging that provides ample protection from ground/air shipping and provide your representative with packaging dimensions to receive an RMA shipping label. All RMA shipments must include proof of purchase, written maintenance records, and a brief written description of the problem being experienced for the unit being returned for service. The product/component must be returned in original, unaltered condition without accessories unless otherwise instructed to do so. Products returned for warranty service, which are received damaged due to inadequate and/or improper packaging and/or due to damage caused by shipping carrier may incur additional repair charges before warranty service begins and/or may void this warranty. Any products returned without a valid RMA will be refused and returned at the customer's expense. Failure to follow these RMA procedures may result in denial of warranty service or additional material/labor costs billable to the customer.

Non-Warranty Service

If it is determined that the product does not meet the terms of our warranty, you will be billed for labor and materials, as well as applicable shipping and insurance. Appropriate shipping charges will be applied. Payment in advance of repair is required by credit card. VOLUX will contact you and inform you of the cost of the repair before any work is completed.



VOLUX LIGHTING

Voluxlighting.com

Technical Support: support.voluxlighting.com

US / Canada: +1 954-688-9945

International: Contact your authorized distributor